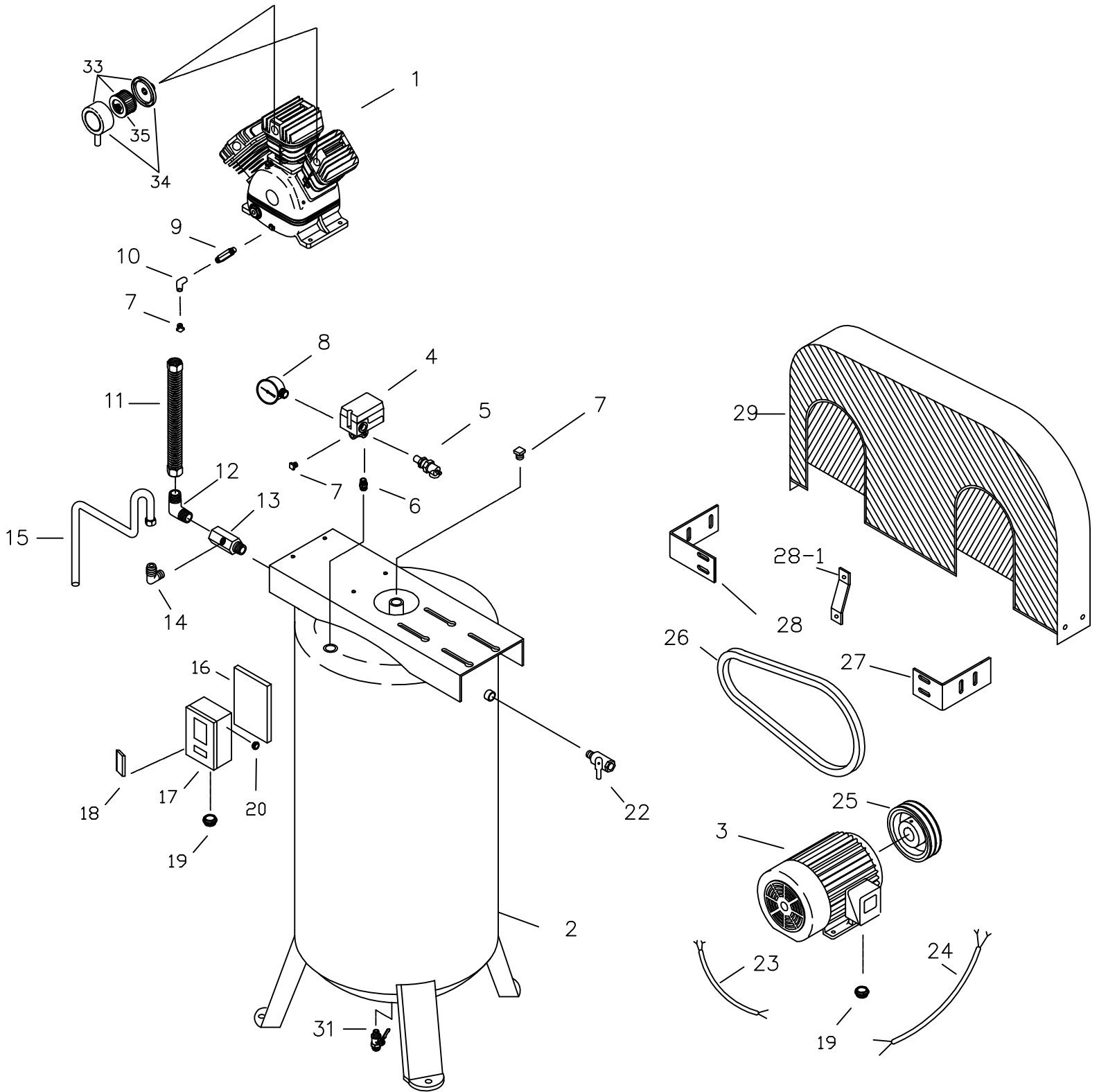


# TUK-5080VM3



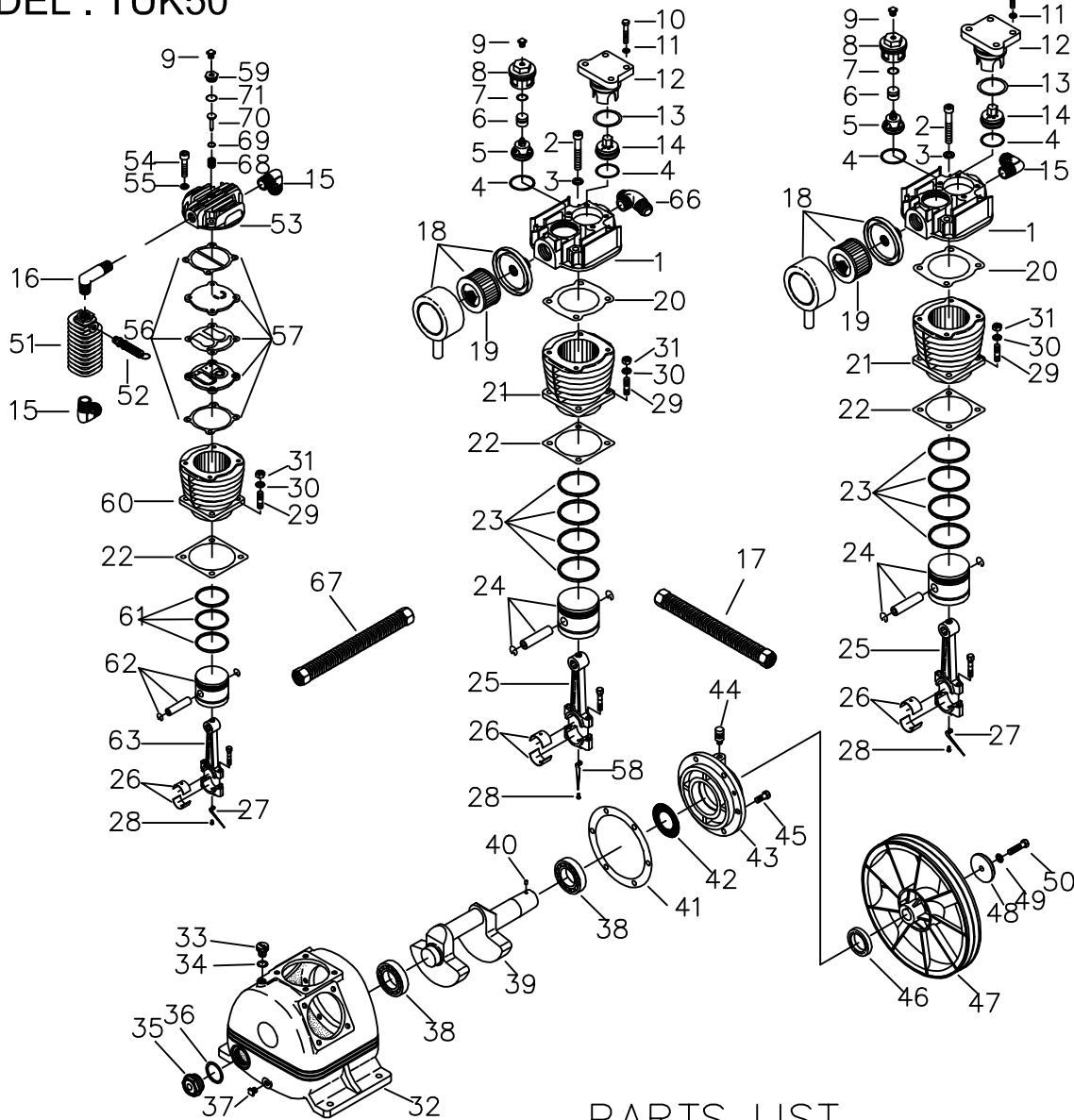
## PARTS LIST

**Model: TUK-5080VM3**

**VERSION: OF-027**

REF. NO.	PARTS ID	DESCRIPTION	QUANTITY
1	TUK-50	PUMP	1.00
2	4001-80V	TANK	1.00
3	4027-50-43	MOTOR	1.00
4	056-CD175P4-001	PRESSURE SWITCH	1.00
5	84006010	PRESSURE RELIEF VALVE	1.00
6	2N01-026 (NP-02X20)	NIPPLE	1.00
7	046-02N-H00	PLUG	3.00
8	047-H20D200P-01	PRESSURE GAUGE	1.00
9	2N01-026 (NP-02X20)	NIPPLE	1.00
10	024-02FFN90D-00	ELBOW	1.00
11	3B2-06540	DISCHARGE TUBE	1.00
12	2N06-06T06H	ELBOW	1.00
13	CV3434M	CHECK VALVE	1.00
14	2N16-C01TW02M	CONNECTOR W/ COMPRESSION RING	1.00
15	063-CU01X670	TUBE (CHECK VALVE - PRESSURE SWITCH)	1.00
16	3417010	BRACKET (for STARTER)	1.00
17	MS-50-3	MAGNETIC STARTER	1.00
18	B-25	HEATER ELEMENT (FUSE)	3.00
19	025A-06N-000	WIRE CLAMP	2.00
20	025A-03N-000	WIRE CLAMP	1.00
22	2413007	SERVICE VALVE	1.00
23	2E02-3520702Y2F	ELECTRIC CABLE (STARTER - P.S.)	1.00
24	025-A12W3X1345	ELECTRIC CABLE (STARTER - MOTOR)	1.00
25	3PMF-080A2W1120	PULLEY	1.00
26	2N31-A66	BELT (A66)	2.00
27	3427029	BRACKET - RIGHT	1.00
28	3427009	BRACKET - LEFT	1.00
28-1	3427015	BRACKET - CENTER	1.00
29	3426024	BELT GUARD	1.00
31	2413020	DRAIN VALVE	1.00
33	2140009A	AIR FILTER ASSEMBLY	2.00
34	2140009	AIR FILTER HOUSING	2.00
35	1801 (2142002)	FILTER ELEMENT	2.00

# MODEL : TUK50



## PARTS LIST

NO: OF-027

REF NO.	DESCRIPTION	PART NO.	QTY	REF NO.	DESCRIPTION	PART NO.	QTY.
1	Cylinder head	3101048	2	37	Plug - Oil draining	2N33-002	1
2	Hex socket head bolt	2B01-M10*055	8	38	Bearing	2N35-6306	2
3	Split lock washer	2B33-M10	8	39	Crankshaft	3304025	1
4	Valve Washer	2B31-001	4	40	Pulley key	2N47-63*09	1
5	Inlet valve assembly	3B12-PU23	2	41	Gasket - Rear bearing end	2G06-002	1
6	Piston - Head Unloader	2113009	2	42	Oil mesh	2352002	1
7	O-ring	2N52-P18V	2	43	Rear bearing end	3311003	1
8	Inlet valve cap	3110008	2	44	Breather	2321008	1
9	PLUG - 1/8"	PLUG-01	2	45	Hex bolt	2B00-SM10*025	6
10	Hex bolt	2B00-SM08*030	8	46	Oil seal	2N50-TC30*50*11	1
11	Split lock washer	2B33-M08	8	47	Pulley	3PBF-145A230	1
12	Outlet valve cap	3126004	2	48	Washer	2B34-13*52*14	1
13	O-Ring	2N52-G45V	2	49	Split lock washer	2B33-M12	1
14	Outlet valve assembly	3B11-NPP23	2	50	Hex bolt	2B00-SM12*050	1
15	Elbow - 3/4"	2N06-06T06H	3	51	Intercooler	3125001	1
16	Elbow - 3/4"	2N06-06T06T85	1	52	Pressure relief valve	2406007	1
17	Discharge tube	3B2-06*215	1	53	Cylinder head	3101055	1
18	Air filter assembly	2140009A	2	54	Hex socket head bolt	2B01-M06*040	4
19	Filter element	1801 (2142002)	2	55	Split lock washer	2B33-M06	4
20	Gasket - Cylinder head	2G01-007	2	56	Valve plate Gasket kit (HP)	3B71-PK20	1
21	Cylinder	3201015	2	57	Valve plate assembly (HP)	3B13-PK20	1
22	Gasket - Cylinder	2G04-009	3	58	Oil splasher	2317018	1
23	Piston ring kit	3B32-80	2	59	Bushing	2B26-001	1
24	Piston kit	3B31-80L	2	60	Cylinder (HP)	3201012	1
25	Rod	2315018	2	61	Piston ring kit (HP)	3B32-65	1
26	Bearing (Rod Bushing)	2316001	6	62	Piston Kit (HP)	3B31-T65	1
27	Oil splasher	2317019	2	63	Rod (HP)	2315022	1
28	Bolt (+)	2B02-FM5*010	3	64			
29	Stud screw	2B11-003	12	65			
30	Split lock washer	2B33-M10	12	66	Tee	2N09-06H06T06H2	1
31	Hex nut	2B20-FM10	12	67	Discharge tube	3B2-06*490	1
32	Crankcase	3301017	1	68	Spring - Head Unloader	2S03-001	1
33	Oil cap	2319004	1	69	O-ring	2N52-P06V	1
34	Gasket - Oil Cap	2N52-30*15	1	70	Head Unloader Piston (HP)	2113006	1
35	Oil sight gauge	2303004	1	71	O-ring	2N52-P16	1
36	Gasket - Oil sight gauge	2G11-003	1				